



SWT3-21-H and SWT3-41-H Quick Start Guide

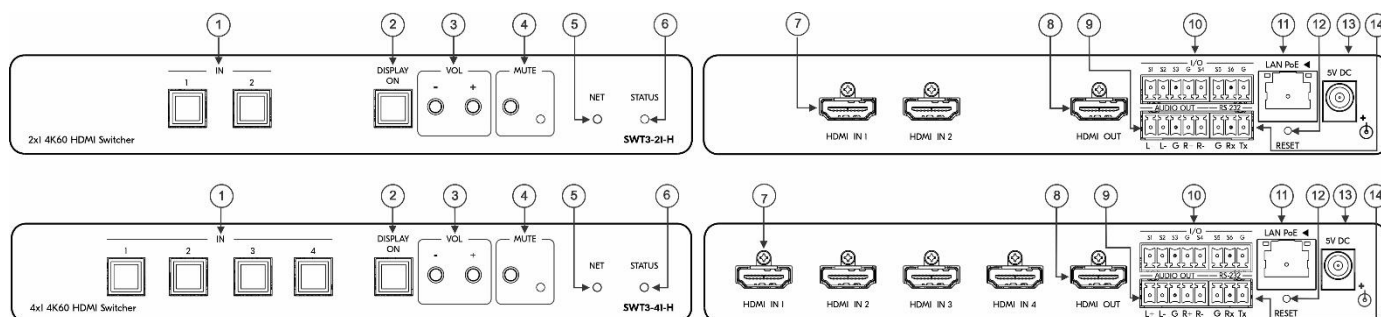
This guide helps you install and use your **SWT3-21-H**, **SWT-41-H** for the first time.

Go to www.kramerav.com/downloads/SWT3-21-H, SWT-41-H to download the latest user manual and check if firmware upgrades are available.

Step 1: Check what's in the box

- ✔ SWT3-21-H / SWT3-41-H HDMI Switcher
- ✔ 1 Bracket set
- ✔ 1 Quick start guide
- ✔ 1 Power adapter and cord
- ✔ 4 Rubber feet

Step 2: Get to know your SWT3-21-H, SWT-41-H



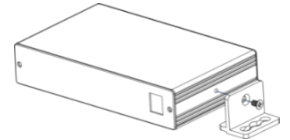
#	Feature	Function
1	IN Buttons	Press to select an HDMI input (LED button lights orange). (2 for SWT3-21-H , 4 for SWT3-41-H).
		i When referring to SWT3-41-H in this document, it also applies to SWT3-21-H .
2	DISPLAY ON Button	Press to turn display On (LED button lights orange) or Off.
3	VOL Push Buttons	-
		+
4	MUTE	Push Button
		LED
5	NET LED	LED Status
		Dark
		Lights green
		Flashes green for 60s
6	STATUS LED	LED Status
		Dark
		lights white
		Lights green
7	HDMI IN Connectors	Connect to an HDMI source (2 for SWT3-21-H , 4 for SWT3-41-H).
		Connect to an HDMI acceptor.
8	HDMI OUT Connector	Connect to a balanced stereo audio acceptor.
9	AUDIO OUT 5-pin Terminal Block Connector	Connect to a balanced stereo audio acceptor.

#	Feature	Function
10	Terminal block Connector (S1-S6)	Connect to: <ul style="list-style-type: none"> • Input-triggering devices (for example, remote buttons or sensors), OR • Output-triggered devices (for example, remote alarm LED indication). These GPIO ports may be configured as a digital input, digital output, or analog input ports.
11	ETHERNET RJ-45 Connector	Connect to LAN to accept power, control and manage the device.
12	RESET Recessed Button	For restoring factory default settings, press the RESET button and connect power to device (keep pressing longer than 6sec after power connection)
13	5V DC Power Connector	Connect to the power supply and to the mains electricity.
14	RS-232 3-pin Terminal Block Connector	Connect to an RS-232 controller.

Step 3: Mount SWT3-41-H

Install SWT3-41-H using one of the following methods:

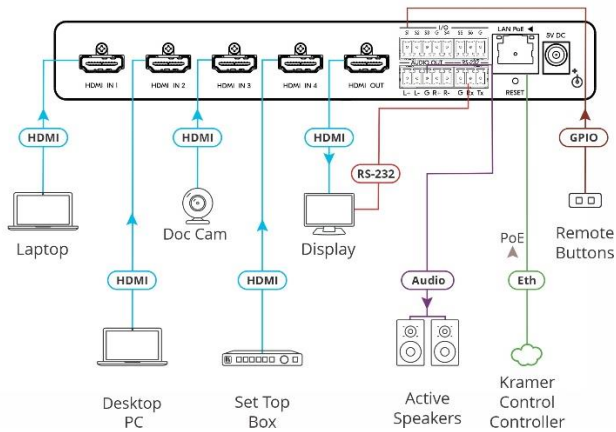
- Attach the rubber feet and place the unit on a flat surface.
- Fasten a bracket (included) on each side of the unit and attach it to a flat surface (see www.kramerav.com/downloads/SWT3-21-H, SWT-41-H SWT3-41-H).
- Mount the unit in a rack using the recommended rack adapter (see www.kramerav.com/product/SWT3-21-H, SWT-41-H SWT3-41-H).



- Ensure that the environment (e.g., maximum ambient temperature & air flow) is compatible for the device.
- Avoid uneven mechanical loading.
- Appropriate consideration of equipment nameplate ratings should be used for avoiding overloading of the circuits.
- Reliable earthing of rack-mounted equipment should be maintained.
- Maximum mounting height for the device is 2 meters.

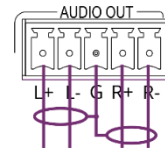
Step 4: Connect inputs and outputs

Always switch OFF the power on each device before connecting it to your **SWT3-41-H**. For best results, we recommend that you always use Kramer high-performance cables to connect AV equipment to the **SWT3-41-H**.

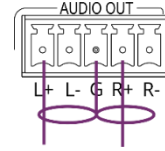


Connect the Audio Output:

To a balanced stereo audio acceptor:



To an unbalanced stereo audio acceptor:



For optimum range and performance use the recommended Kramer cables available at www.kramerav.com/product/SWT3-21-H, SWT-41-H SWT3-41-H

Step 5: Connect power

If not PoE-powered, connect the power cord to **SWT3-41-H** and plug it into the mains electricity.



Safety Instructions (See www.kramerav.com for updated safety information)

Caution:

- For products with relay terminals and GPIO ports, please refer to the permitted rating for an external connection, located next to the terminal or in the User Manual.
- There are no operator serviceable parts inside the unit.

Warning:

- Use only the power cord that is supplied with the unit.
- Disconnect the power and unplug the unit from the wall before installing.

Step 6: Control SWT3-41-H

Operate **SWT3-41-H**:

- Remotely, by IP or RS-232 serial commands transmitted by a touch screen system, PC, or other serial controller.
- Embedded web pages via the Ethernet.

RS-232 Control / Protocol 3000					
Baud Rate:	115,200	Parity:	None	Stop Bits:	1
Data Bits:	8	Command Format:	ASCII		
Example: (Switch video input 2 to the output): #ROUTE 1,1,2<CR>					
Default IP Parameters – Set to DHCP On					
Fallback IP Address:	192.168.1.39	UDP Port #:	50000		
Fallback Subnet Mask:	255.255.255.0	TCP Port #:	5000		
Fallback Gateway:	192.168.1.1	User/Password:	Admin/Admin		
Host name	SWT3-41-H-xxxx (where xxxx are the last 4 digits of the S/N)				

When using **SWT3-41-H** for the first time, the fallback IP address is set until DHCP server is discovered and a new IP address is acquired. For further details, check the Resources tab on the product page of the website.